

8000 SQUARED COLLECTION DECORATIVE GRAB BARS

METICULOUSLY DESIGNED WITH THE USER IN MIND

sales@preferredbathinc.com

www.preferredbathinc.com

(336) 904-6248



100% STAINLESS STEEL CONSTRUCTION

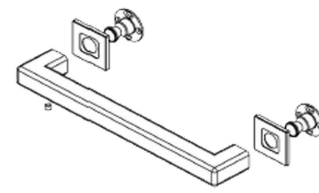
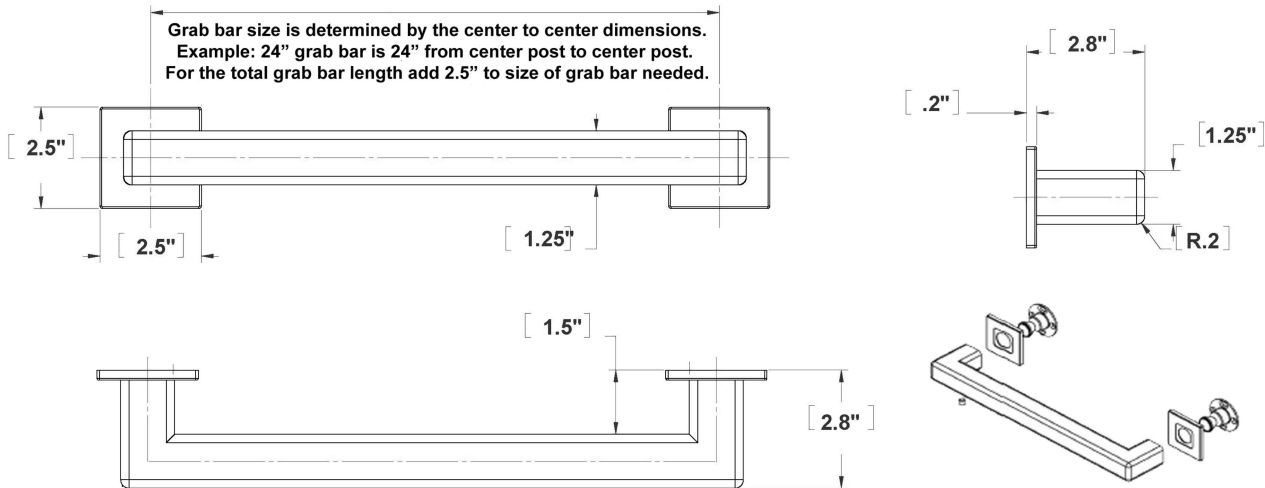
- ROUNDED EDGE 304 STAINLESS STEEL BAR
- SOLID 304 STAINLESS STEEL DECORATIVE COVER FLANGES
- ADJUSTABLE MULTI-SCREW 304 STAINLESS STEEL MOUNTING BRACKETS
- PREMIUM STAINLESS STEEL MOUNTING HARDWARE

SOFT TO THE TOUCH EDGES

- INCREASES THE GRIPPABLE SURFACE AREA OF THE PRODUCT. PROVIDING BETTER GRIP, COMFORT AND SAFETY
- MEETS AND EXCEEDS ANSI REQUIREMENTS FOR ROUNDED EDGES ON SQUARE GRAB BARS

EXCEEDS ADA & ANSI REQUIREMENTS

PART NUMBERS	FINISH
8012-BP	BRIGHT POLISHED
8016-BP	BRIGHT POLISHED
8018-BP	BRIGHT POLISHED
8024-BP	BRIGHT POLISHED
8036-BP	BRIGHT POLISHED
8042-BP	BRIGHT POLISHED
8048-BP	BRIGHT POLISHED
8012-SS	SATIN STAINLESS
8016-SS	SATIN STAINLESS
8018-SS	SATIN STAINLESS
8024-SS	SATIN STAINLESS
8036-SS	SATIN STAINLESS
8042-SS	SATIN STAINLESS
8048-SS	SATIN STAINLESS



INSTALLATION:

Attach mounting bracket to the wall with the provided screws. Slide flange and grab bar over the wall bracket and secure with provided stainless steel set screws. This grab bar has been designed to be secured to the wall with at least two screws per mounting bracket giving you the strongest squared decorative grab bar on the market. It also has .20" of adjust-ability for an easy installation.

WOOD BLOCKING REQUIRED FOR COMMERCIAL APPLICATION

Preferred Bath Accessories Inc. warrants to the purchaser that the product will be free from defects in material and workmanship. If the product does not comply with this warranty, Preferred Bath Accessories Inc. will repair or replace the product or, at Preferred Bath Accessories Inc's. option, refund the purchase price. The limited warranty period is for the lifetime of the product. Limitations on the Warranty: The warranty does not cover, normal wear and tear, product abuse, neglect, improper installation or maintenance. Purchaser Requirements: If this product does not meet Preferred Bath Accessories Inc's. warranty, return the product (postage prepaid) to the place of purchase with proof of purchase and a written claim briefly describing the defect. You may be required to provide other information or evidence of the defect.

Limited Warranty:

